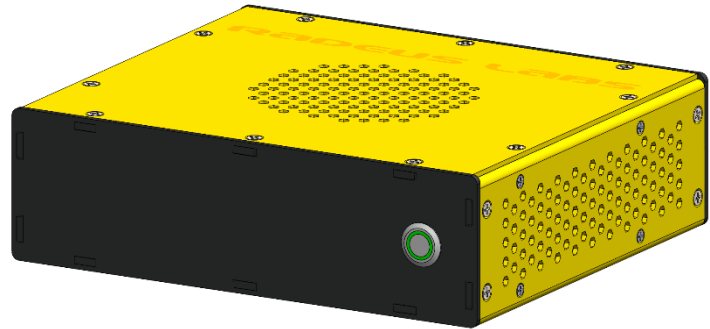
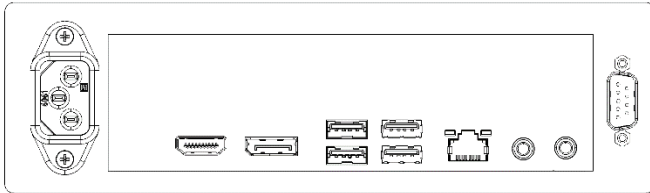


RLDT-TC-G1

**Rugged Thin Client for use with Hypervisors (VMware, Hyper-V, etc.)
with RHEL7 based Operating System (hardened via STIGs v2)**



Rugged Thin Client with Single or Dual monitors

Key Features

- Intel Pentium Gold G5400T Processor
- 4 GB RAM DDR4 2400
- 128GB M.2 SSD
- Internal 180W Power supply 88% efficiency
- Qty 1 x DisplayPort with max. resolution 4096 x 2304 @ 60 Hz
- Qty 1 x HDMI with max. resolution 4096 x 2160 @ 24 Hz / 2560 x 1600 @ 60 Hz
- Qty 2 x USB 3.1 Gen 1
- Qty 2 x USB 2.0
- Qty 1 x Gigabit Ethernet
- Qty 1 x RS-232 (DB-9)
- Qty 1 x Mic-in
- Qty 1 x Line-out

Environmental Testing

- Supports MIL-STD-810G environments
- Operating Temperature +0°C to +50°C
- Storage Temperature -20 °C to +70°C

Operating Systems Options

- Radeus OS (RHEL7 base)
 - Firefox
 - VMware Horizon Client
 - RDP Client
- No Touch OS (Thin OS)
- Windows 10 Pro
- Linux (Ubuntu and others)
- No Operating system (Blank SSD)

Specifications

- Case Dimensions:
 - Height: 2.45"
 - Depth: 7.2"
 - Width: 8.38"
- 0.1" Thick Front and Rear Panels
- Case Material: 0.08" Aluminum
- Front Finish: Wrinkle Black Powder Coat
Text: White
- Case Finish: Gold Anodized

Other Features

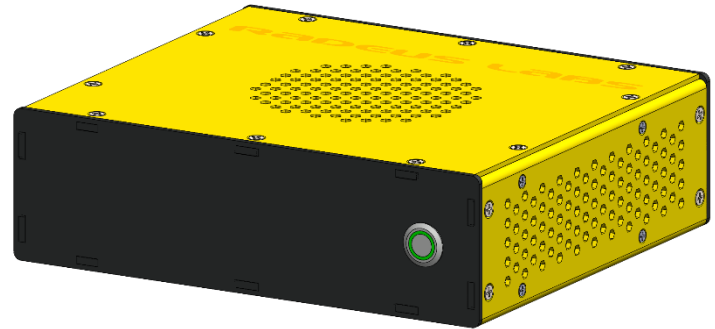
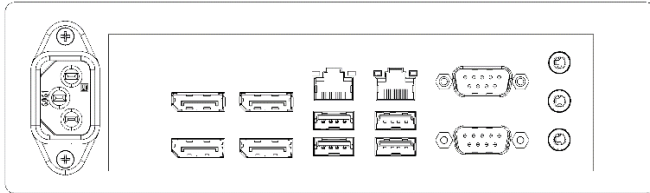
- Vandal-Resistant, Momentary, Illuminated Power (Green) Switch

Accessories

- 10' Power Cord

Optional Accessories

- Monitor Mount (center)
- Monitor Mount (offset)
- RS-TC-01
 - Dual Unit rack mount
 - 2 units in 1.5U



Rugged Thin Client with Quad Monitor Support

Key Features

- AMD Ryzen Embedded V1807B with Radeon RX Vega 11 Graphics
- 8 GB RAM DDR4 3200
- 250GB M.2 SSD
- Internal 180W Power supply 88% efficiency
- Qty 4 x DisplayPort with max. resolution 4096x2160 @ 60Hz each
- Qty 2 x USB 3.0
- Qty 2 x USB 2.0
- Qty 2 x Gigabit Ethernet
- Qty 1 x RS-232/422/485 (DB-9)
- Qty 1 x RS-232 (DB-9)
- Qty 1 x Mic-in
- Qty 1 x Line-in
- Qty 1 x Line-out

Environmental Testing

- Supports MIL-STD-810G environments
- Operating Temperature +0°C to +60°C
- Storage Temperature -40°C to +85°C

Operating Systems Options

- Radeus OS (RHEL7 base)
 - Firefox
 - VMware Horizon Client
 - RDP Client
- No Touch OS (Thin OS)
- Windows 10 Pro
- Linux (Ubuntu and others)
 - No Operating system (Blank SSD)

Specifications

- Case Dimensions:
 - Height: 2.45"
 - Depth: 7.2"
 - Width: 8.38"
- 0.1" Thick Front and Rear Panels
- Case Material: 0.08" Aluminum
- Front Finish: Wrinkle Black Powder Coat
Text: White
- Case Finish: Gold Anodized

Other Features

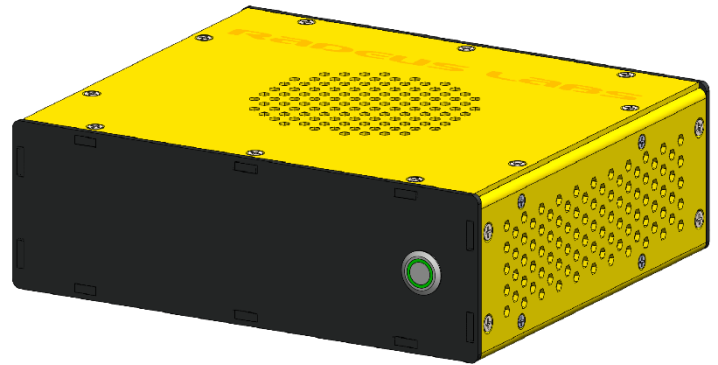
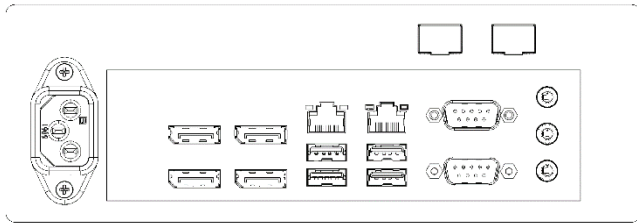
- Vandal-Resistant, Momentary, Illuminated Power (Green) Switch

Accessories

- 10' Power Cord

Optional Accessories

- Monitor Mount (center)
- Monitor Mount (offset)
- RS-TC-01
 - Dual Unit rack mount
 - 2 units in 1.5U



Rugged Thin Client with Quad Monitor Support and Fiber

Key Features

- AMD Ryzen Embedded V1807B with Radeon RX Vega 11 Graphics
- 8 GB RAM DDR4 3200
- 250GB M.2 SSD
- Internal 180W Power supply 88% efficiency
- Qty 4 x DisplayPort with max. resolution 4096x2160 @ 60Hz each
- Qty 2 x USB 3.0
- Qty 2 x USB 2.0
- Qty 2 x Gigabit Ethernet
- Qty 1 x RS-232/422/485 (DB-9)
- Qty 1 x RS-232 (DB-9)
- Qty 1 x Mic-in
- Qty 1 x Line-in
- Qty 1 x Line-out
- Qty 2 x SFP+ 10GB fiber NIC

Environmental Testing

- Supports MIL-STD-810G environments
- Operating Temperature +0°C to +60°C
- Storage Temperature -40°C to +85°C

Operating Systems Options

- Radeus OS (RHEL7 base)
 - Firefox
 - VMware Horizon Client
 - RDP Client
- No Touch OS (Thin OS)
- Windows 10 Pro
- Linux (Ubuntu and others)
- No Operating system (Blank SSD)

Specifications

- Case Dimensions:
 - Height: 3.25"
 - Depth: 7.2"
 - Width: 8.38"
- 0.1" Thick Front and Rear Panels
- Case Material: 0.08" Aluminum
- Front Finish: Wrinkle Black Powder Coat
Text: White
- Case Finish: Gold Anodized

Other Features

- Vandal-Resistant, Momentary, Illuminated Power (Green) Switch

Accessories

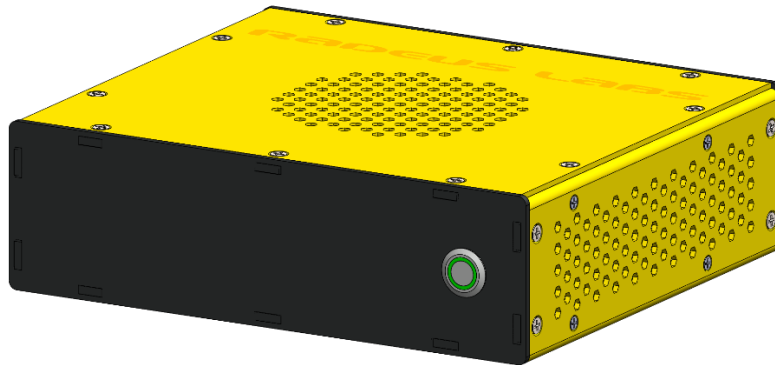
- 10' Power Cord

Optional Accessories

- Monitor Mount (center)
- Monitor Mount (offset)
- RS-TC-01
 - Dual Unit rack mount
 - 2 units in 2U



RLDT-TC-G1



Product Highlights

Radeus Labs is proud to introduce the only commercially available Ruggedized four monitor thin client.

Purpose

The Radeus Labs Rugged Thin Client is purpose built for use with the most popular Hypervisor Systems (VMWare, Hyper-V, and others). Embedded Hardware was chosen for longevity, the small form factor allows for multiple mounting options. Flexibility and simplicity in management allows RDP or multiple displays over PCoIP.

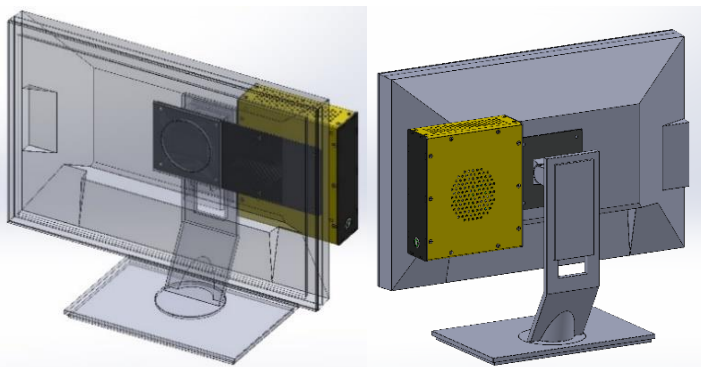
With the introduction of the -3 variant, we now have another option that provides customers with dual 10GB SFP+ ports to increase the networking flexibility.

For customers who are looking for a small form factor computer that can be used with graphics intensive workloads we will provide these units with Windows (Pro or SHB) so you can use this without the need of a server.

Mounting Options

The unit has 3 mounting options in addition to being able to sit flat or vertically on the desk.

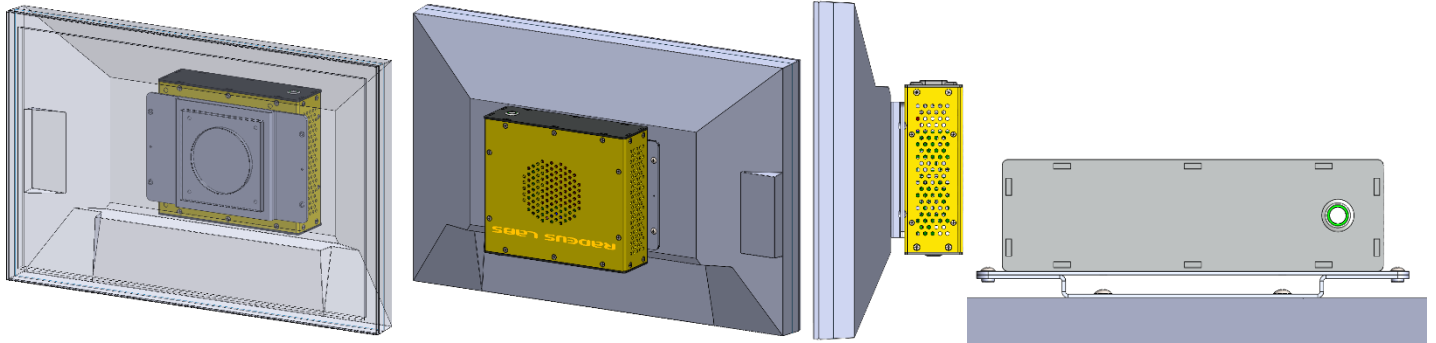
Option 1 is to attach it to the rear of a VESA mounted monitor. The mount sits in between the mounting arm and the monitor



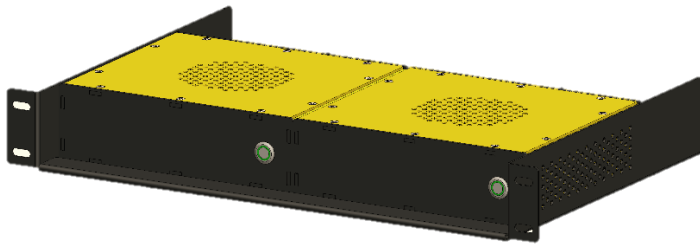


RLDT-TC-G1

Option 2 is to attach to the VESA mounted of a monitor that is attached from the sides or top and bottom.



Option 3 (RM-TC-01) is in a rack mounted shelf. This is a specially designed shelf that allows 2 units to fit in 1.5U of space



Highlights

Small, Rugged, 4 Displays, VESA Monitor Mount, Rack Mountable, Hardened Thin OS, Embedded (Long Life Cycle)

Product Information

- Life Expectancy: 5 Years
- Standard Lead Time: 12 Weeks
- Weight: ~3 lbs standalone hardware